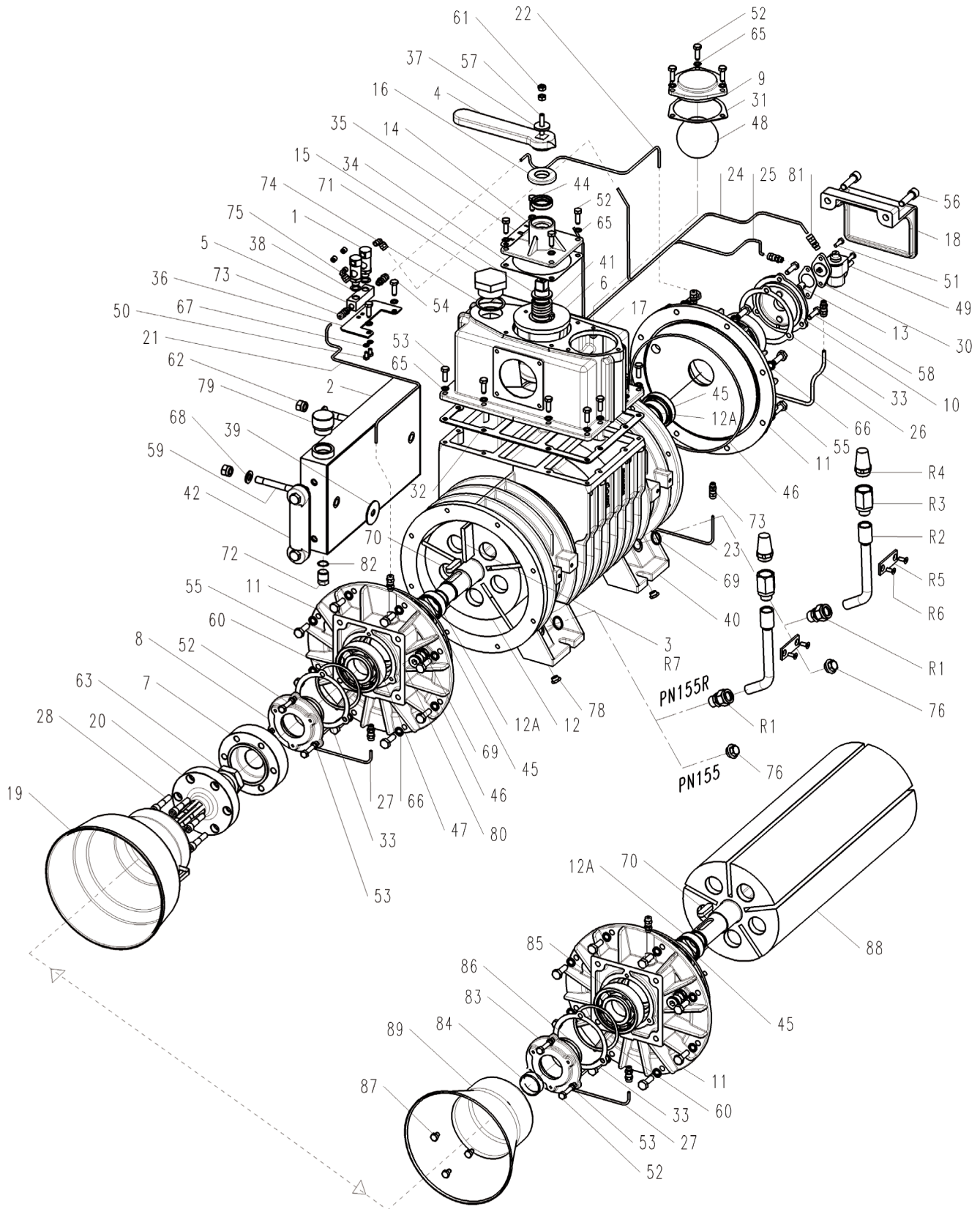


PNR155 VACUUM PUMP BREAKDOWN

PNR155 PARTS LAYOUT



• PH 1-800-342-0887

• FAX 1-888-645-9700



PNR155 VACUUM PUMP PARTS LIST

PNR155 PARTS LIST

Pos.	Code	Description	Qty.	Pos.	Code	Description	Qty.
1	1401200700	OIL DRIPPER WITHOUT SETTING	2	42	4022106001	VERTICAL SIGHT LEVEL	1
2	1587009400	OIL TANK	1	43	4022200011	SEAL RING A 64x80x8	1
3	16016AB6B0	VANE BK PN155	5	44	4022200030	SEAL RING 41x27x10	1
4	1605500100	COCK HANDLE	1	45	4022200113	SEAL RING 70x55x15 VITON	2
5	1608100000	OIL DRIPPER DISTRIBUTOR	1	46	4022200311	O RING 4975 VITON	2
6	1608502500	4WAY COCK	1	47	4023100150	BEARING 6309	2
7	16100B6PB0	DRIVE FLANGE PN155 D	1	48	4023250502	RUBBER BALL	1
8	16105BBBB0	FRONT BEARING FLANGE PN155 DIRECT	1	49	4024251000	OIL PUMP - 2WAYS RIGHT	1
9	1610509800	MANIFOLD FLANGE	1		4024251500	OIL PUMP - 2WAYS LEFT	1
10	1610512900	AUT. OIL PUMP FLANGE	1	50	4026101301	GALV. SCREW TE 8.8 M6x10	2
11	161059RIB0	DIRECT DRIVE FLANGE PN155	2	51	4026107006	SCREW TE 8.8 M6x16	1
12	15215BXTB0	MACHINED ROTOR W/ BUSHING PN155 M	1	52	4026107108	SCREW TE 8.8 M8x20	10
12a	4023130035	ROTOR BUSHING	2	53	4026107110	SCREW TE 8.8 M8x25	10
13	1622002600	OIL PUMP DRIVE PIN	1	54	4026107111	SCREW TE 8.8 M8x30	2
14	1623100500	COCK CAP	1	55	4026107211	SCREW TE 8.8 M10x30	16
15	1624027500	COCK SPRING SPACER	1	56	4026120611	SCREW TCEI 8.8 M12x40	2
16	1624202300	COCK REGUL SPACER	1	57	4026135414	SCREW PEG 12.9 M8x45	1
17	1627504600	MANIFOLD	1	58	4026102802	INOX. SCREW 316 TE M8x30	3
18	1642100200	REAR PROTECTION	1	59	4026171211	STUD SCREW 8.8 M12x80	2
19	16426CR1B0	CARDAN SHAFT PROTECTION	1	60	4026300025	COMPENSATION RING LMKAS100C	2
20	16500B6XB0	SPLINED SHAFT 1 3/8 PN155	1	61	4026308005	HEXAG. NUT M8	2
21	16630C12B0	SUPPLY SHORT OIL TUBE DIRECT LEFT	1	62	4026305508	SELF-LOCKING NUT M12	2
22	16630C13B0	SUPPLY LONG OIL TUBE DIRECT LEFT	1	63	4026306115	SELF-LOCKING NUT M36x3	1
23	16630C14B0	FRONT HOUSING OIL TUBE DIRECT LEFT/REAR M LEFT/DIRECT RIGHT	1	64	4026350908	SAW-TOOTHED WASHER M6	2
24	16630C15B0	FRONT FLANGE-HOUSING OIL TUBE DIRECT RIGHT	1	65	4026350909	SAW-TOOTHED WASHER M8	25
25	16630C16B0	SUCTION TANK OIL TUBE DIRECT LEFT	1	66	4026350910	SAW-TOOTHED WASHER M10	16
26	1663063000	REAR FLANGE OIL TUBE M. LEFT	1	67	4026351504	SAW-TOOTHED WASHER M6	2
27	1663071RB0	FRONT FLANGE OIL TUBE PN HDR RIGHT	1	68	4026357007	GALV. FLAT WASHER M12	2
28	1672001600	SPECIAL SCREW TCEI M10x1,5	6	69	4026359003	ALU WASHER 21,5x26x1,5	3
29	1673001000	FILTER FITTING	1	70	4026501004	KEY 12x8x45	1
30	1680609700	AUT. OIL PUMP GASKET	1	71	4026904005	PLUG G1 1/2	1
31	1680610500	MANIFOLD FLANGE GASKET	1	72	4026701603	GALV. PLUG G1/2	1
32	1680614300	MANIFOLD GASKET	1	73	4026702000	STRAIGHT FITTING . 04xG1/8	6
33	1680707300	FRONT FLANGE GASKET DIRECT DRIVE	2	74	4026702708	COPPER WASHER 1 1/2	1
34	1680707800	CAP GASKET	1	75	4026706000	FITTING 90° 04xG1/8	2
35	1681006800	COCK PLATE CAP	1	76	4026904001	PLUG 1/2	2
36	1681100200	OIL DRIPPER SUPPORT PLATE	1	77	4026904503	PLUG M20x1,5	1
37	1685002800	WASHER 30x8,5x4	1	78	4026905002	HEXAGONAL GALVANIZED PLUG G1/4	2
38	1685100000	OIL DRIPPER ALU WASHER	2	79	4026910103	PLASTIC VENT PLUG G1	1
39	1685600200	OIL TANK PLASTIC WASHER	2	80	4026910603	HEXAGONAL CONICAL PLUG G3/8	2
40	16875AB9B0	PN155 HOUSING	1	81	4026701601	SWIVELING FITTING G1/8-04	2
41	1691000000	COCK SPRING	1	82	1685100300	ALU WASHER	1
					18920CZQB0:	JOINT KIT PN155 M	

PNR155 D

Pos.	Code	Description	Qty.	Pos.	Code	Description	Qty.
R1	4026701301	COPPER FITTING 1/2x18	2	R5	1493300200	VALVE G1/2 MALE	2
R2	1663014000	FILTER SUPPORT	2	R6	4022301004	SILENCER FILTER G3/4	2
R3	1681006600	PLATE FERMATUBO	2	R7	16016BXNB0	VANE F57 PN155R	5
R4	4026155605	SCREW TSPEI 10.9 M6x16	4				

PNR155 D E PNR155 D - SMOOTH SHAFT

Pos.	Code	Description	Qty.	Pos.	Code	Description	Qty.
83	1610508200	DIRECT DRIVE FLANGE	1	87	4026102802	SCREW 8.8 M8x12	3
84	1626001100	BUSHING P.D.	1	88	16215BXUB0	MACHINED ROTOR WITH BUSHING PN155 DIRECT DRIVE	1
85	4023115057	BEARING NJ309 ECJ	1	89	1642600100	CARDAN SHAFT PROTECTION	1
86	4022200044	SEAL RING 45x65x8	1				

