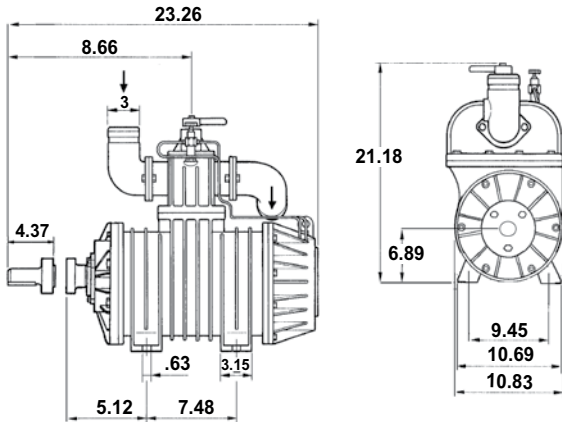


PN58 SPECIFICATIONS

RPM Range	900-1300	Noise @ 18"	77 dB
Max Vacuum	27.6" / 92%	Oil Tank Cap.	2.44 qt
CFM @ Free Air	230	Net Weight	225 lbs
CFM @ 18"	205	Rec. Oil	ISO 150
Max Pressure	21 PSI	1 3/8" Smooth Shaft	
Horsepower	9	Two 3" Swivel Elbows	

FEATURES:

- 230 CFM @ FREE AIR
- 18" CONTINUOUS DUTY
- AIR COOLED
- FORCED OIL LUBRICATION
- HEAT RESISTANT KEVLAR VANES



PART #	DESCRIPTION
PN58	Juroop PN58 Vacuum Pump

PN58 JURO-PAK

JUROOP PN58 Vacuum Pump combined with a state of the art Gearbox Auto Alignment and Shutoff-Filter System complete with powder coating and assembly.

FEATURES:

- **JUROOP PN58 VACUUM PUMP**
- **PUMP MOUNTING STAND MADE OF 3/8" HEAVY DUTY STEEL**
- **ALUMINUM AUTO ALIGN BRACKET**
- **3 SHAFT GEARBOX WITH 1" SHAFT**
- **1" X 1 3/8" SIZE 8 PUMP COUPLING**
- **2 GALLON HORIZONTAL SECONDARY**
- **FINAL FILTER WITH "REUSABLE" 55 MESH FILTER**
- **VACUUM PRESSURE TREE WITH 2" BRASS PRESSURE RELIEF VALVE, 1 1/2" BRASS VACUUM RELIEF VALVE & 2 1/2" LIQUID FILLED VACUUM PRESSURE GAUGE**
- **POWDER COATING & ASSEMBLY**



PN58 JURO-PAK
PART # 1004-0580

PN58 JURO-PAK
2" FITTINGS
PART# 1004-0580-2

