

PN33 VACUUM PUMP



PN33 VACUUM PUMPS



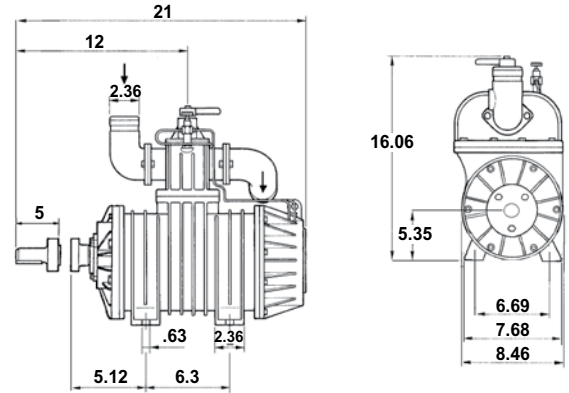
FEATURES:

- 127 CFM @ FREE AIR
- 18" CONTINUOUS DUTY
- AIR COOLED
- FORCED OIL LUBRICATION
- HEAT RESISTANT KEVLAR VANES

PN33 SPECIFICATIONS

RPM Range	900-1300	Noise @ 18"	77 dB
Max Vacuum	27.6" / 92%	Oil Tank Cap.	1.27 qt
CFM @ Free Air	127	Net Weight	139 lbs
CFM @ 18"	102	Rec. Oil	ISO 150
Max Pressure	21 PSI	1 3/8" Smooth Shaft	
Horsepower	6		

PART #	DESCRIPTION
PN33	Jurop PN33 Vacuum Pump



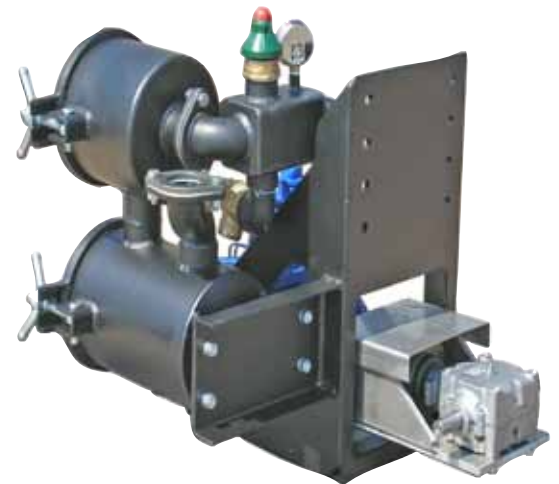
PN33 JURO-PAK

JUROP PN33 Vacuum Pump combined with a state of the art Gearbox Auto Alignment and Shutoff-Filter System complete with powder coating and assembly.

FEATURES:

- **JUROP PN33 VACUUM PUMP**
- **PUMP MOUNTING STAND MADE OF 3/8" HEAVY DUTY STEEL**
- **ALUMINUM AUTO ALIGN BRACKET**
- **3 SHAFT GEARBOX WITH 1" SHAFT**
- **1" X 1 3/8" SIZE 8 PUMP COUPLING**
- **2 GALLON HORIZONTAL SECONDARY**
- **FINAL FILTER WITH "REUSABLE" 55 MESH FILTER**
- **VACUUM PRESSURE TREE WITH 2" BRASS PRESSURE RELIEF VALVE, 1 1/2" BRASS VACUUM RELIEF VALVE & 2 1/2" LIQUID FILLED VACUUM PRESSURE GAUGE**
- **POWDER COATING & ASSEMBLY**

PN33 JURO-PAK
PART # 1004-0330



www.chandlerequipment.com

Due to unforeseeable market fluctuations, prices are subject to change without notice.

