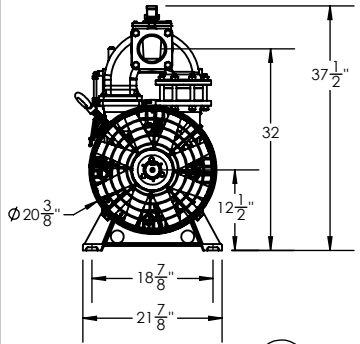
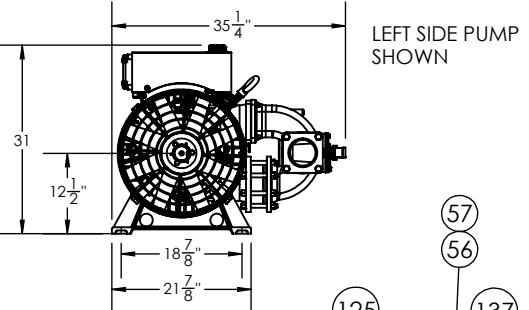
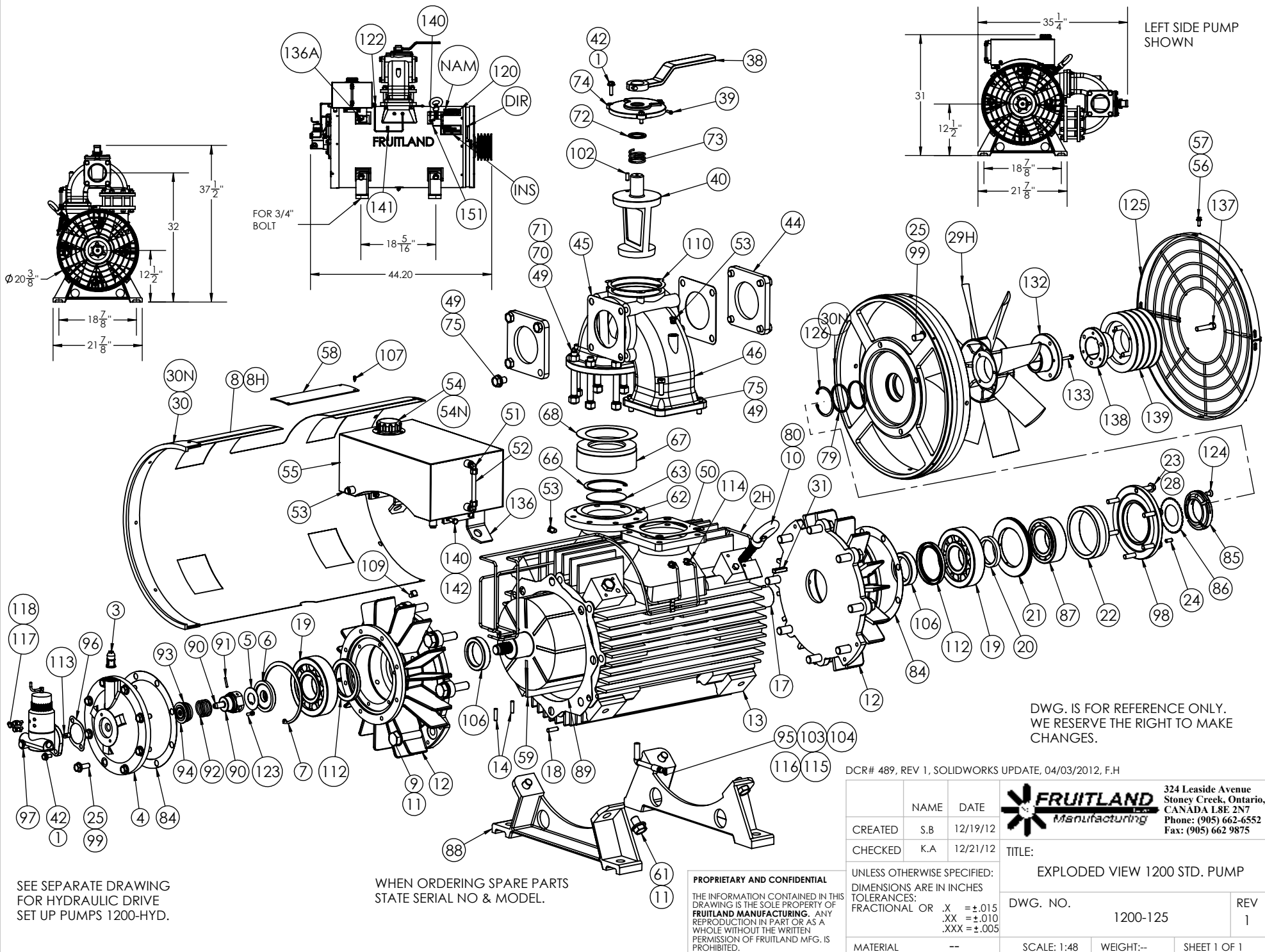


RCF 1200



FOR 3/4" BOLT

DWG. IS FOR REFERENCE ONLY.
WE RESERVE THE RIGHT TO MAKE CHANGES.

SEE SEPARATE DRAWING FOR HYDRAULIC DRIVE SET UP PUMPS 1200-HYD.

WHEN ORDERING SPARE PARTS STATE SERIAL NO & MODEL.

PROPRIETARY AND CONFIDENTIAL
THE INFORMATION CONTAINED IN THIS DRAWING IS THE SOLE PROPERTY OF FRUITLAND MANUFACTURING. ANY REPRODUCTION IN PART OR AS A WHOLE WITHOUT THE WRITTEN PERMISSION OF FRUITLAND MFG. IS PROHIBITED.

DCR# 489, REV 1, SOLIDWORKS UPDATE, 04/03/2012, F.H

	NAME	DATE		324 Leaside Avenue Stoney Creek, Ontario, CANADA L8E 2N7 Phone: (905) 662-6552 Fax: (905) 662 9875	
CREATED	S.B	12/19/12		TITLE:	EXPLODED VIEW 1200 STD. PUMP
CHECKED	K.A	12/21/12	DWG. NO.	1200-125	REV 1
UNLESS OTHERWISE SPECIFIED: DIMENSIONS ARE IN INCHES TOLERANCES: FRACTIONAL OR .X = ±.015 .XX = ±.010 .XXX = ±.005			SCALE: 1:48	WEIGHT:--	SHEET 1 OF 1
MATERIAL	--				