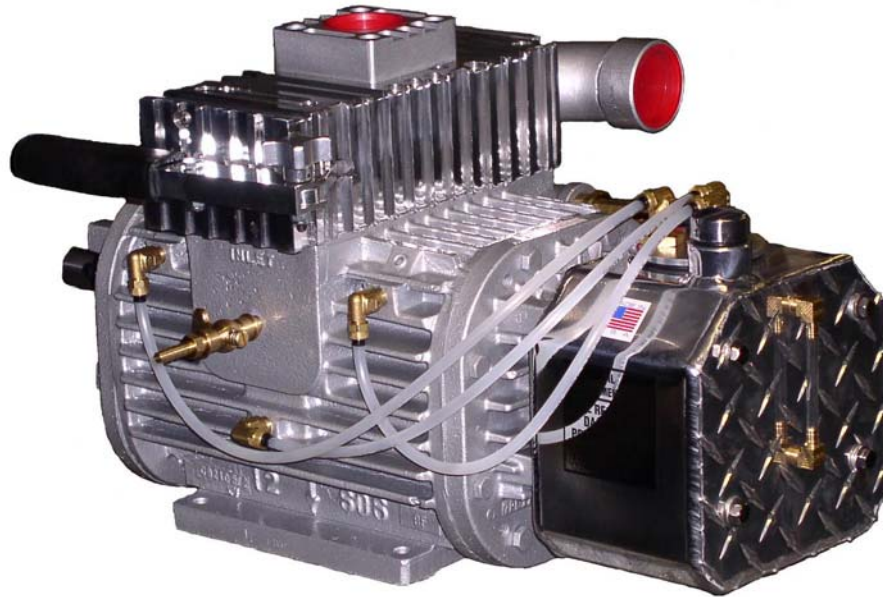




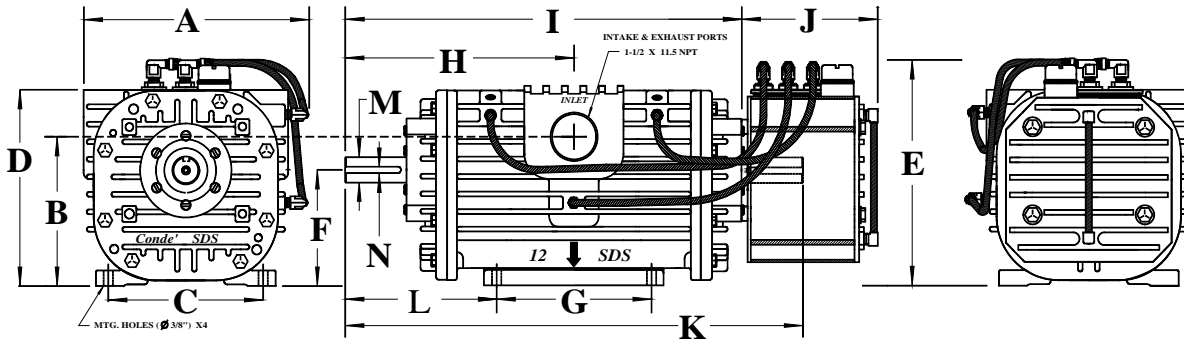
SDS 12 Vacuum Pump

Made in the U.S.A. since 1939



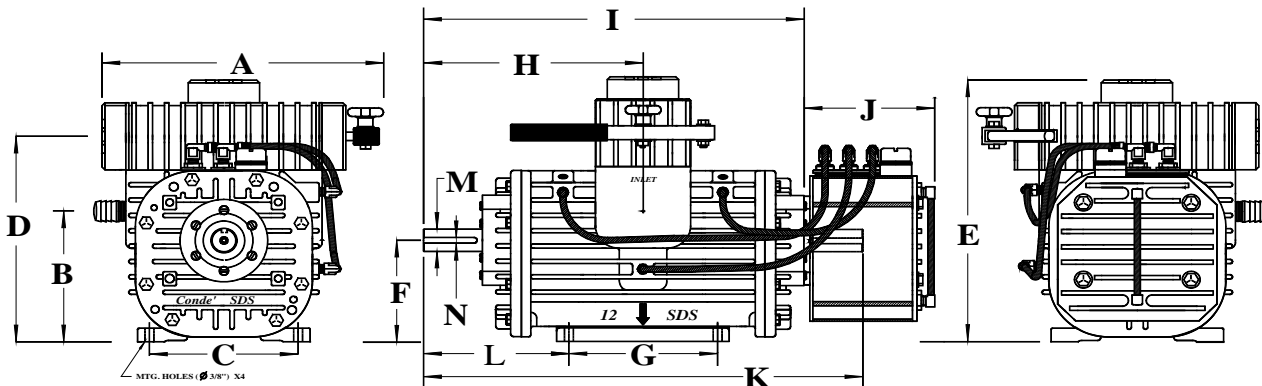
- * Double Shaft Design
Pump can be driven either clockwise or counter clockwise rotation.
- * O Ring Seals
Prevents any oil leakage and eliminates oil mess.
- * Automatic Oiling
Conde Automatic oilers require no adjustment. Simply add oil .
- * Available in Vacuum only or Vacuum/Pressure
Vacuum/pressure models include built-in check valve to hold tank vacuum.
- * Low Profile - Compact Design
Installs neatly where other pumps can't go.
- * Versatile Oiler Design
Oiler can be mounted on either end of pump or remote mounted.
- * Sealed Bearings Require No Maintenance.
- * End Thrust Protection To Prevent End Plate To Rotor Wear.
- * ONE YEAR WARRANTY!

The Most Precious Piece of Metal On Your Truck



ALL DIMENSIONS IN INCHES

A	B	C	D	E	F	G	H	I	J	K	L	M	N
8-7/8	5-7/8	6-1/4	7-3/4	9-1/4	4-9/16	6-1/4	9-31/32	16-7/8	5-1/2	19-15/16	6-27/32	1-1/8	1/4 X 1/4 2" LGTH



ALL DIMENSIONS IN INCHES

A	B	C	D	E	F	G	H	I	J	K	L	M	N
11-7/8	5-7/8	6-1/4	9-1/4	11-3/4	4-9/16	6-1/4	9-31/32	16-7/8	5-1/2	19-15/16	6-27/32	1-1/8	1/4 X 1/4 2" LGTH

PERFORMANCE SPECIFICATIONS

Pump RPM	Displacement CFM	SCFM and ACFM @ Vacuum, "Hg				
		5	10	15	18	20

1750	180	SCFM	153	122	90	69	56
1750		ACFM	175	173	171	167	162
1500	154	SCFM	131	104	77	51	42
1500		ACFM	149	147	145	141	136
1200	123	SCFM	104	71	62	47	39
1200		ACFM	120	117	115	111	105

Pump RPM	Free Air	CFM at Pressure (PSIG)				
		2	4	8	12	15
1750	180	178	176	174	171	168

Speed Range - 1200 to 1750 RPM
 Maximum Vacuum - 28" Hg intermittent
 Lubrication - Conde Automatic
 Maximum Pressure - 20 psig intermittent
 Port Size - 1-1/2"
 Shaft Diameter - 1-1/8"
 Weight Vacuum Only - 119 Lbs.
 Weight Vacuum/Pressure - 124 lbs.

Westmoor Ltd.



906 West Hamilton Avenue
 P.O. Box 99
 Sherrill, New York 13461

Phone: 800-367-0972, 315-363-1500

Fax: 315-363-0193

E-Mail: pumps@westmoorltd.com